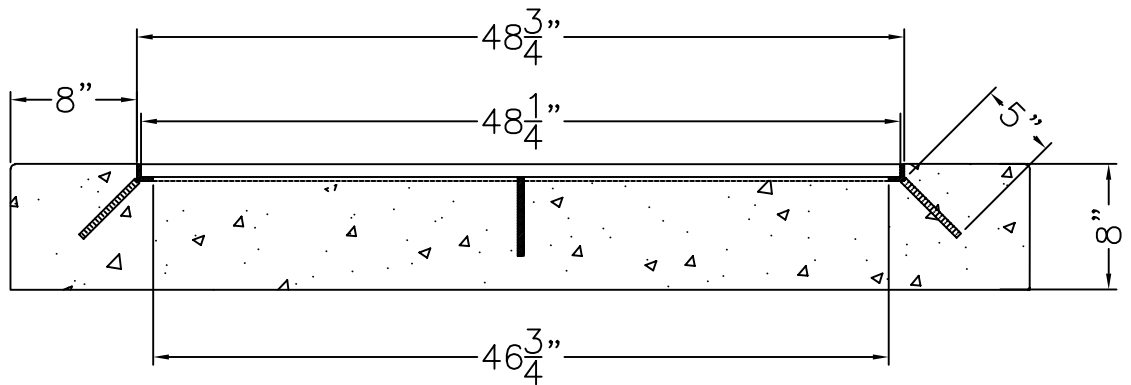
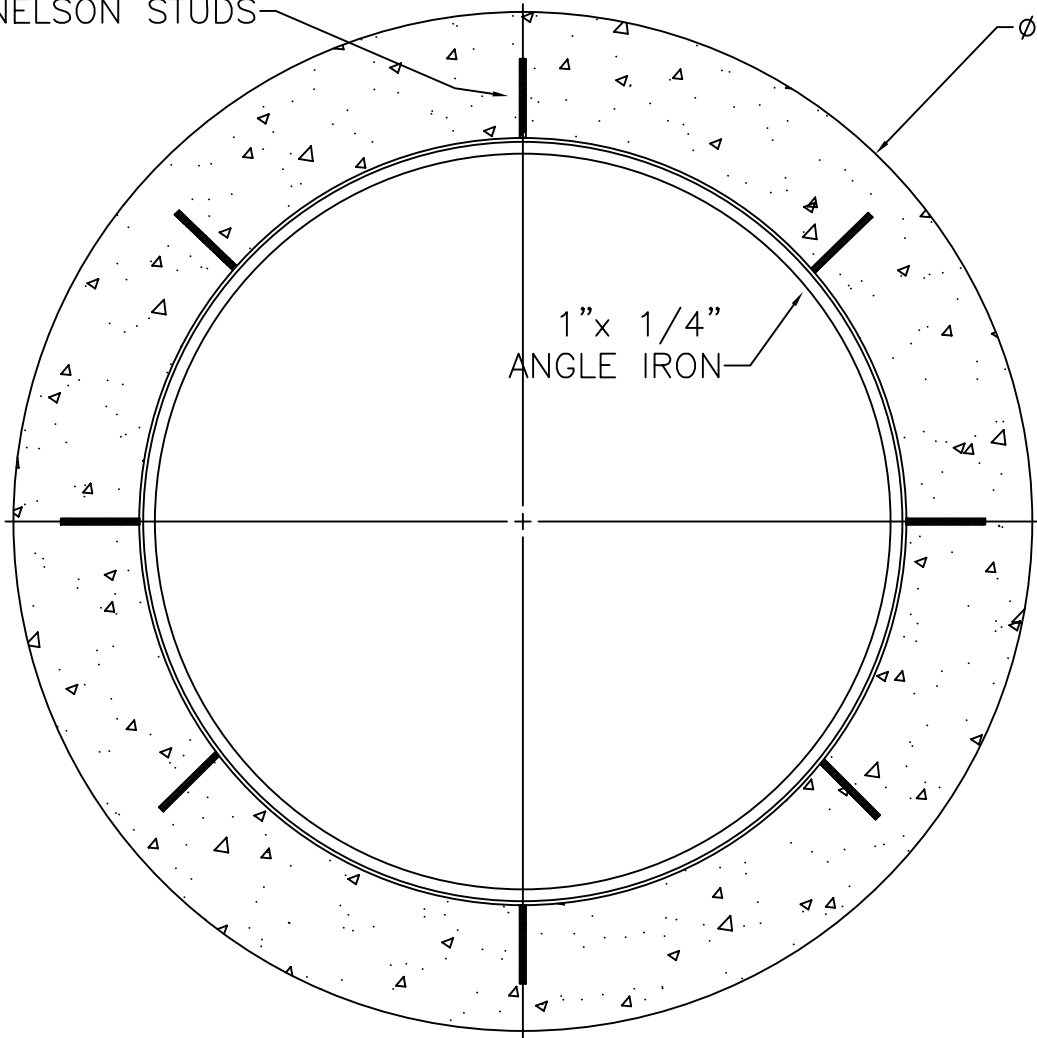


REBAR OR  
NELSON STUDS

$\phi 64\frac{3}{4}$ "

1" x 1/4"  
ANGLE IRON



For use with a  
48" Round Tree Grate

**DOBNEY**

DOBNEY FOUNDRY LTD.  
SURREY B.C.

48" Round Tree Grate Frame  
w/ Concrete Collar

NO.  
48RConc.Col