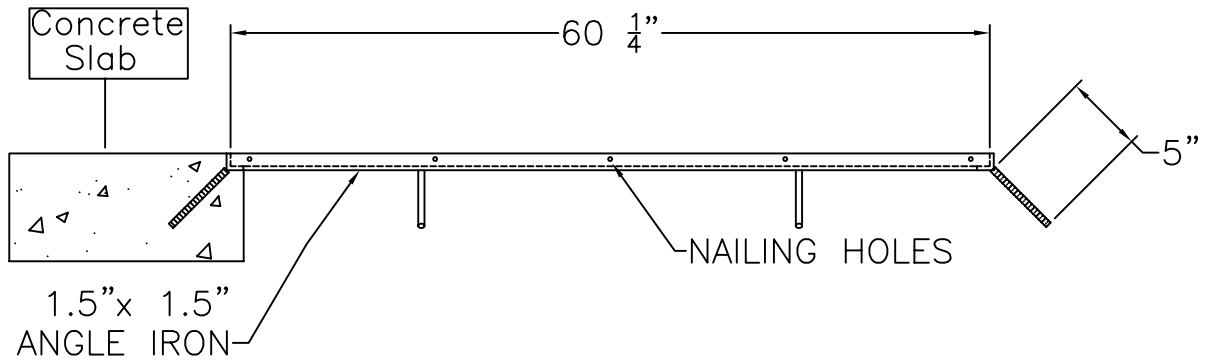


REBAR OR  
NELSON STUDS



Concrete  
Slab

1.5" x 1.5"  
ANGLE IRON

NAILING HOLES



DOBNEY FOUNDRY LTD.  
SURREY B.C.

60" TREE GRATE FRAME  
FOR SP-60, 2 PIECE UNIT

NO.  
60FRAME