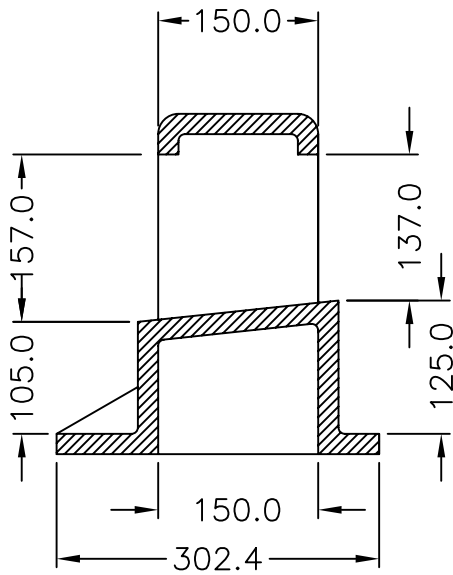
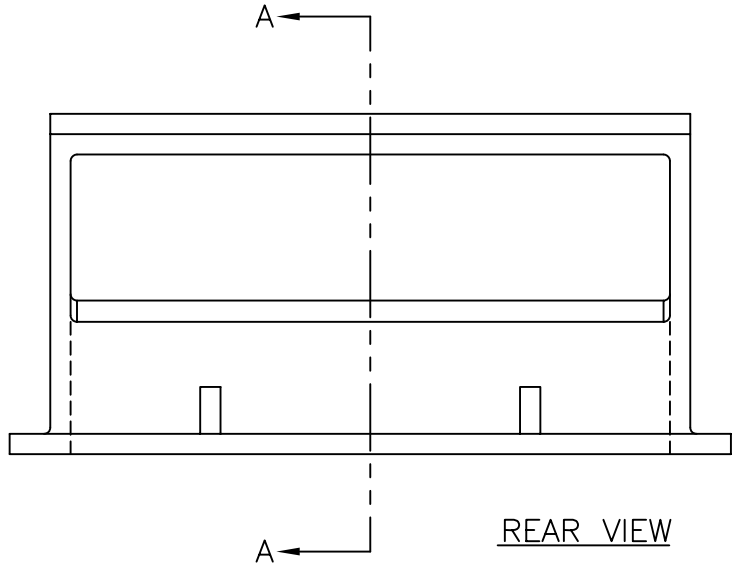



PLAN



SECTION A-A



APPROX WEIGHT:- 73.4 Kilos
revision 2

 DOBNEY FOUNDRY LTD. SURREY B.C.	
RATING-	
CURB INLET	NO. B-24FTH