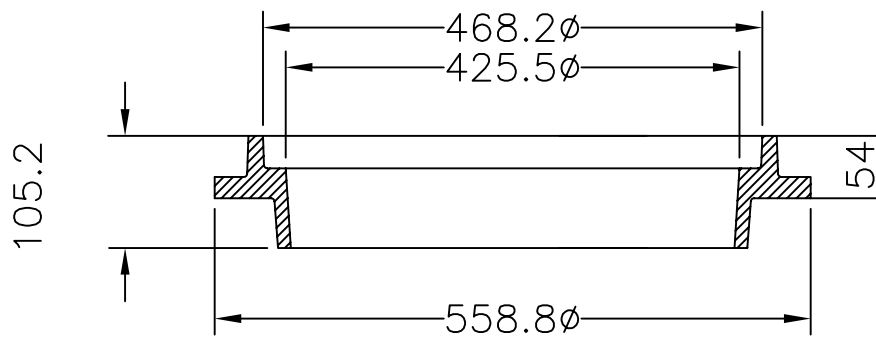



GRATE



FRAME

APPROX. WEIGHT  
 GRATE - 23.58 Kg  
 FRAME - 28.57 Kg

|   |                            |
|---|----------------------------|
|  <b>DOBNEY FOUNDRY LTD.</b><br><b>SURREY B.C.</b> |                            |
| <b>RATING-HWY LOAD</b>  |                            |
| FRAME AND GRATE   | <b>NO.</b><br><b>B-26A</b> |