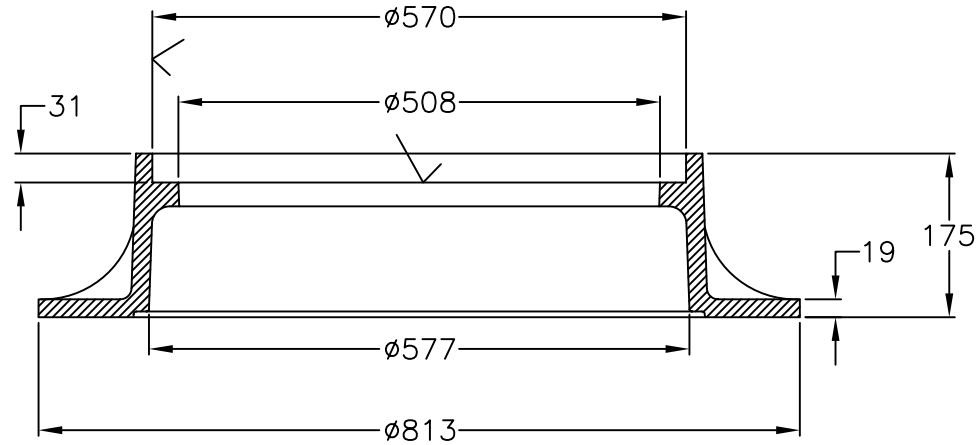



4-19mm HOLES

PLAN



SECTION A-A

APPROX. WEIGHT  
 FRAME - 78Kg  
 USES C-20 COVER

 <b>DOBNEY FOUNDRY LTD.</b> <b>SURREY B.C.</b>	
<b>RATING-HWY LOAD</b>	
<b>MANHOLE FRAME</b>	<b>NO.</b> <b>C-12</b>