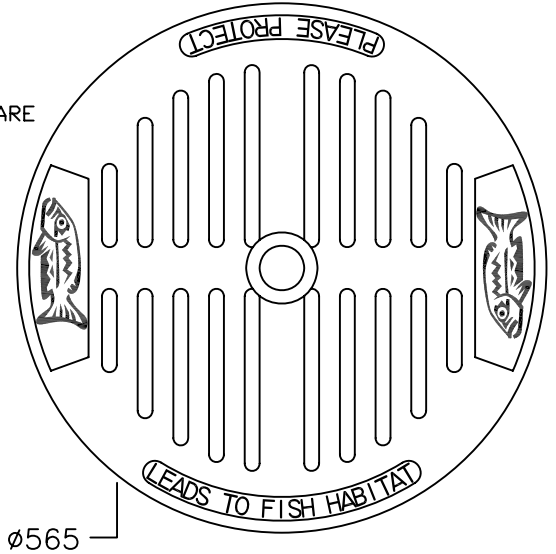
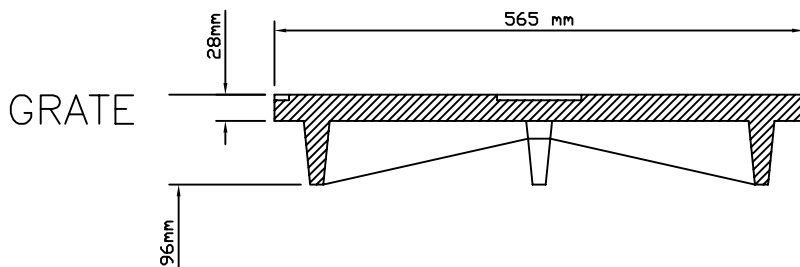
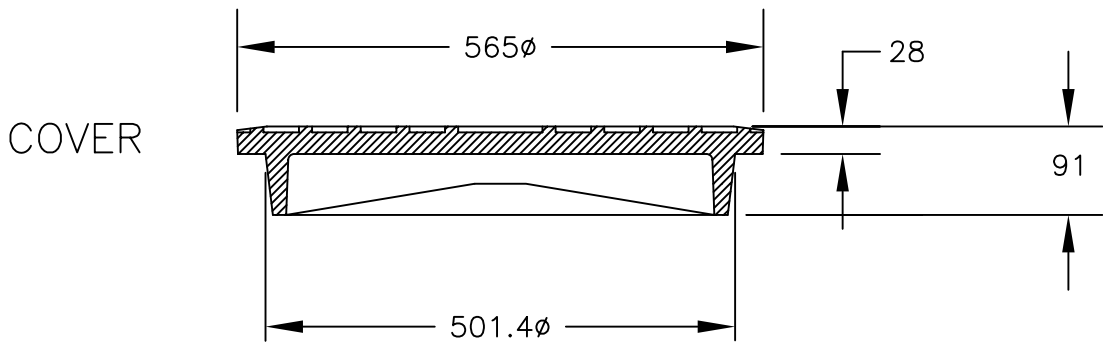


PLAN - COVER



PLAN - GRATE



APPROX. WEIGHT

COVER - 63 Kg
 GRATE - 50 Kg

DOBNEY	DOBNEY FOUNDRY LTD. SURREY B.C.	
	RATING-HWY LOAD	
COVER and GRATE		NO. C-18