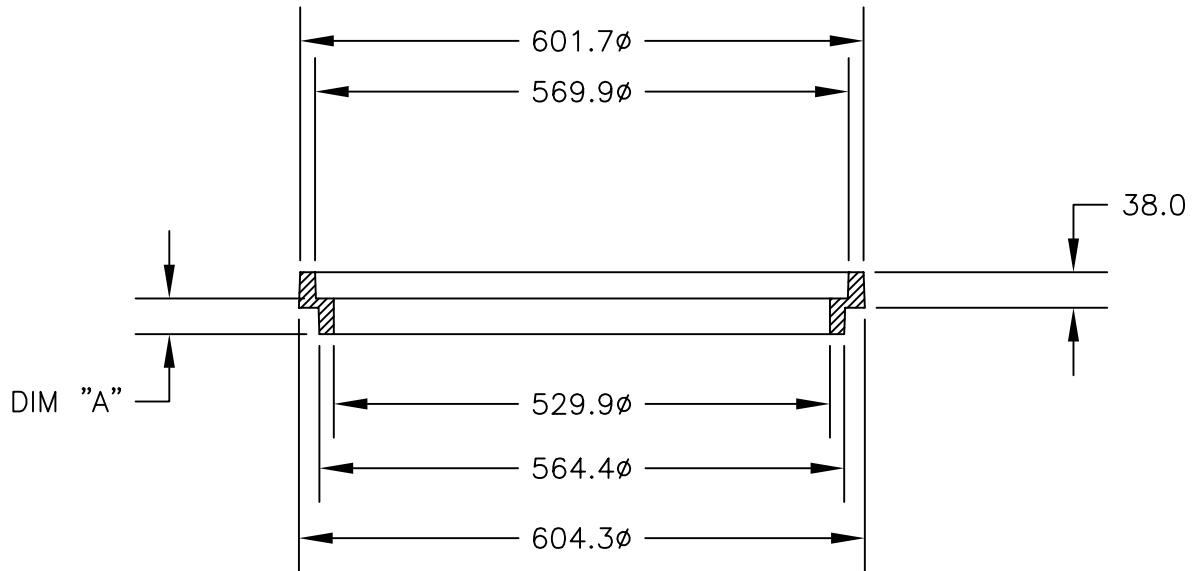


PLAN



SECTION A-A

MANHOLE DETAIL	
DIM "A"	WEIGHT
38	19 Kg
51	25 Kg
63	32 Kg
76	40 Kg
89	45 Kg
101	50 Kg
114	53 Kg
127	57 Kg



DOBNEY FOUNDRY LTD.
SURREY B.C.

RATING-HWY LOAD

RISER RING

NO.
C-18C