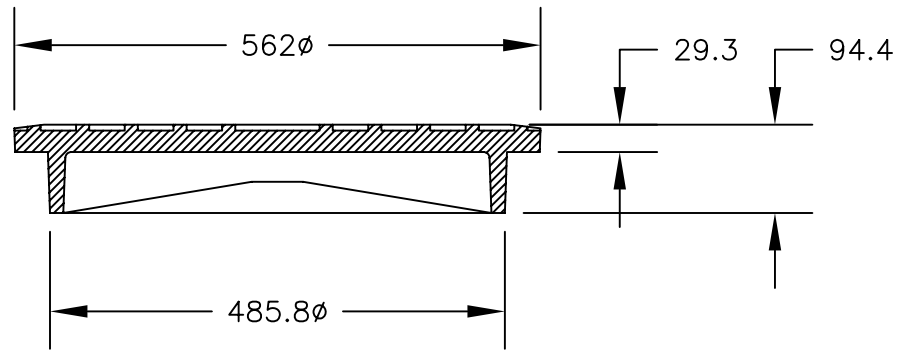
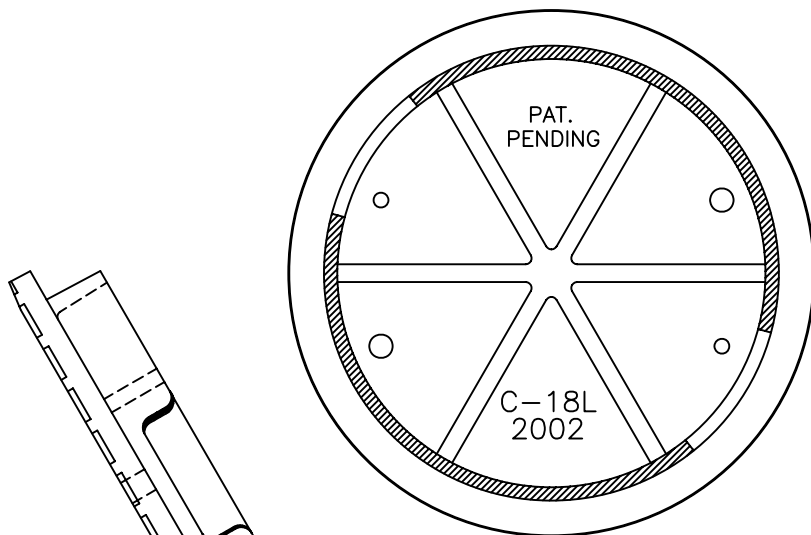


PLAN - COVER




PAT. PENDING



BRASS TAB
5/8" NC THREAD

APPROX. WEIGHT
GRATE - 62.5 Kg

PLAN - COVER U/S REINF.

 DOBNEY FOUNDRY LTD. SURREY B.C.	
RATING-HWY LOAD	
LOCKING COVER	NO. C-18L