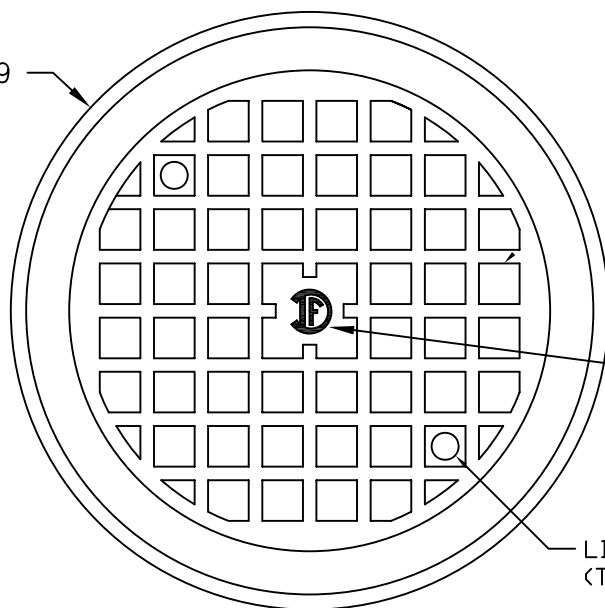


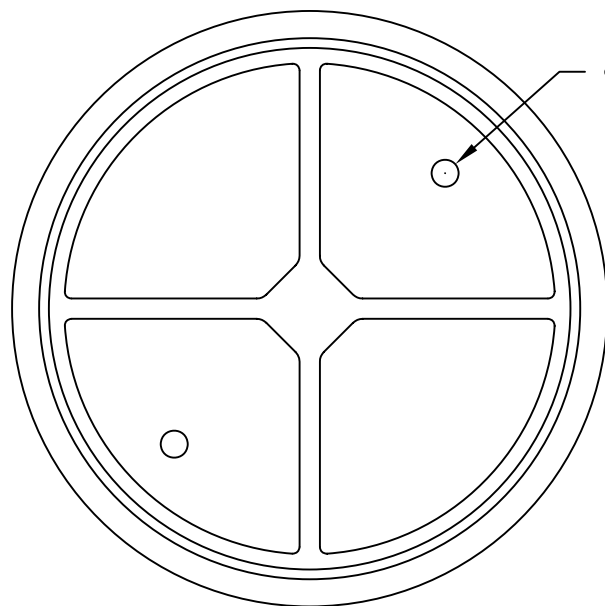
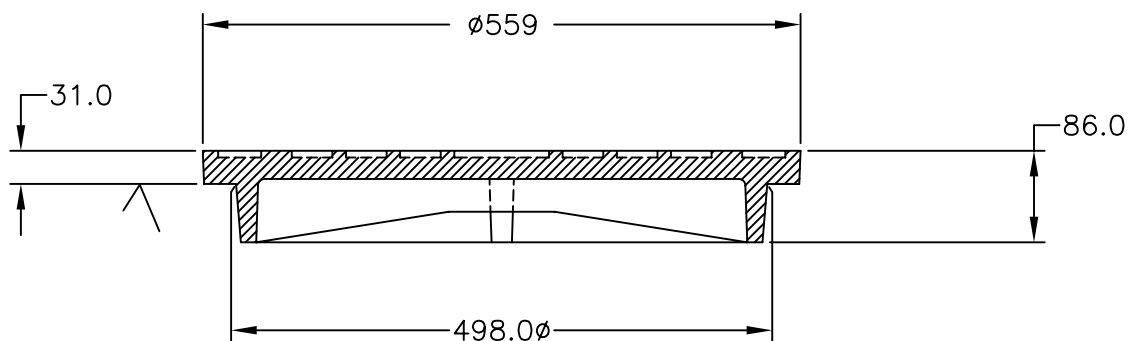
ø559



DOBNEY LOGO

PLAN - COVER

LIFTING HOLE  
(TYP. FOR 2)



ø25

PLAN - COVER U/S REINF.

APPROX. WEIGHT- 61 KG

**DOBNEY** DOBNEY FOUNDRY LTD.  
SURREY B.C.

RATING- HWY LOAD

COVER

NO.  
C-20