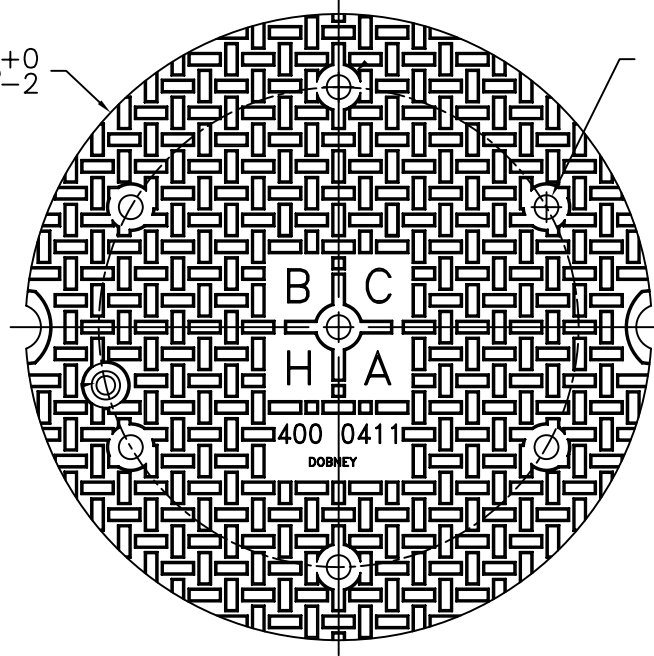


PLAN

$\phi 835^{+0}_{-2}$

6 HOLES

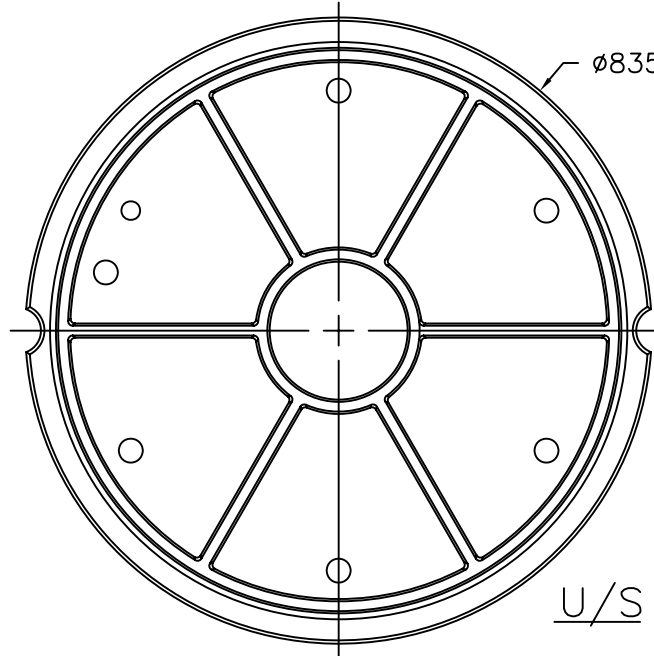


$38 \pm 1$



$30 \pm 2$

$754 \pm 2$



U/S

B.C. HYDRO #0411 COVER  
USE WITH BCH 0401 FRAME



DOBNEY FOUNDRY LTD.  
SURREY B.C.

RATING-HWY LOAD

BCH 0411 COVER

NO.  
C-25A