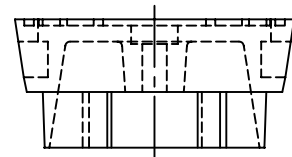
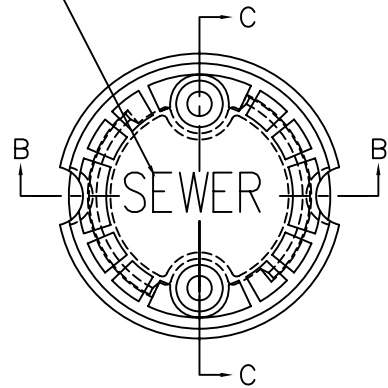
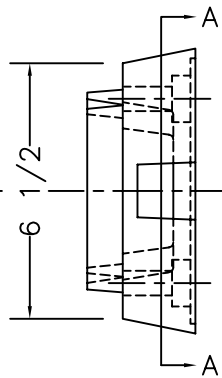
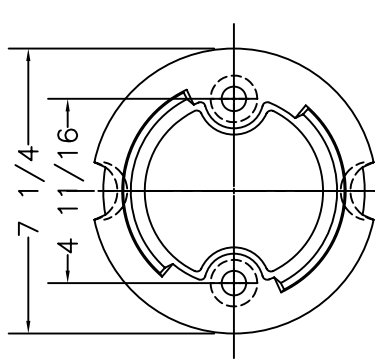
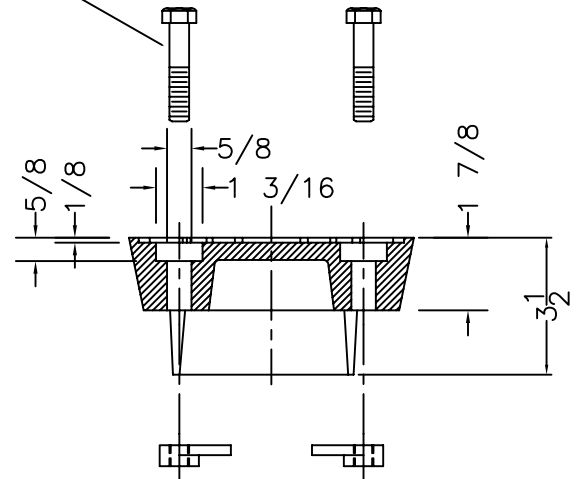
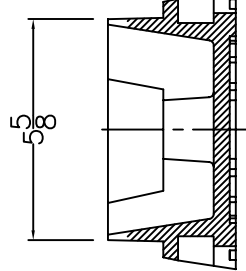
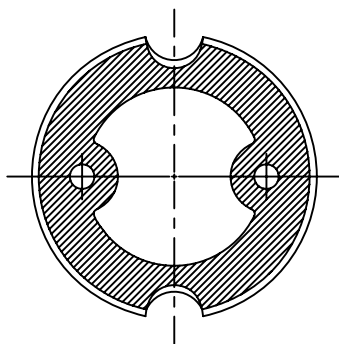


SEWER OR WATER
 1" LETTERING 1/8" ABOVE FACE



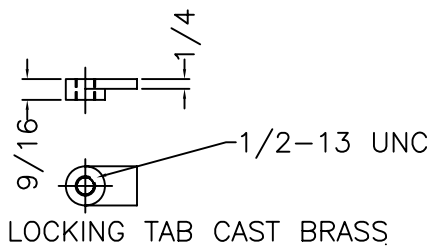
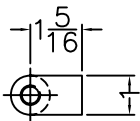
1/2" x 3"
 STAINLESS STEEL
 BOLTS 2 PLACES



SECTION A-A

SECTION B-B

SECTION C-C



DOBNEY FOUNDRY LTD.
 SURREY B.C.

RATING- H-20

SEWER / WATER LID
 LOCKABLE

NO.
 NTLOCK