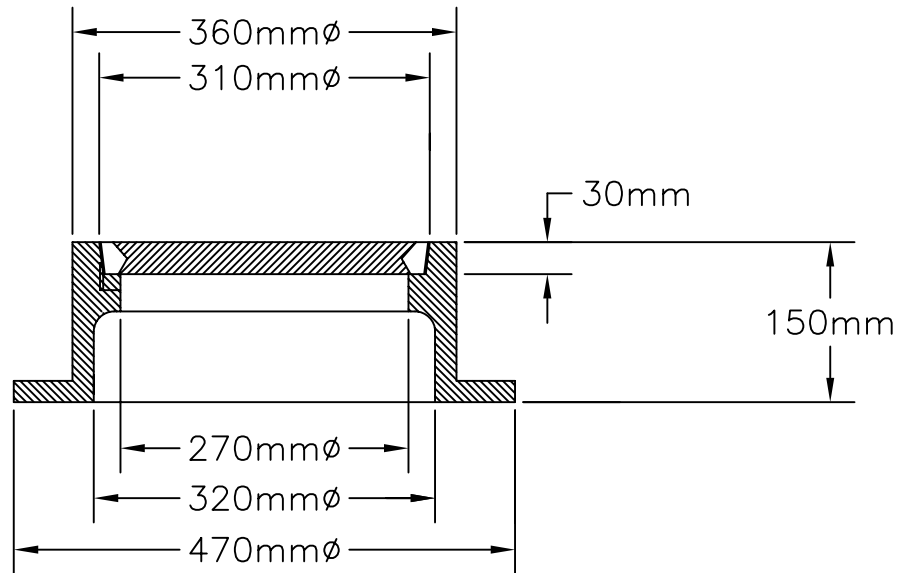



PLAN



SECTION A-A

 SURREY B.C. DOBNEY FOUNDRY LTD.	
RATING-HWY LOAD	
SURVEY MONUMENT BOX CASTING DETAIL TYPE 1	No. D-17