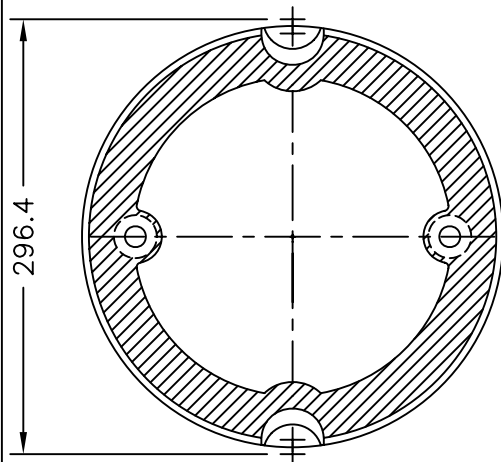
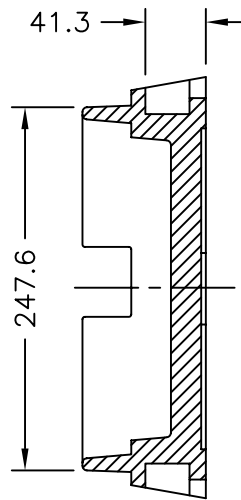


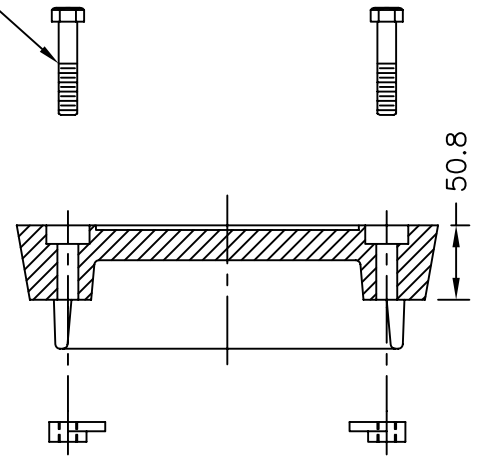
1/2" x 3 1/2"
STAINLESS STEEL
BOLTS 2 PLACES



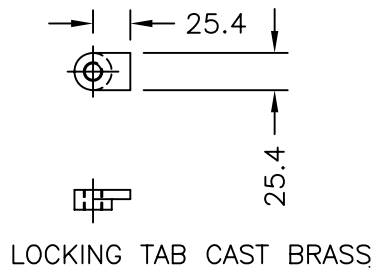
SECTION A-A



SECTION B-B



SECTION C-C



DOBNEY DOBNEY FOUNDRY LTD.
SURREY B.C.

RATING- H-20

VALVE BOX LID
(LOCKING) Sanitary

NO.
MR-10LL-SAN