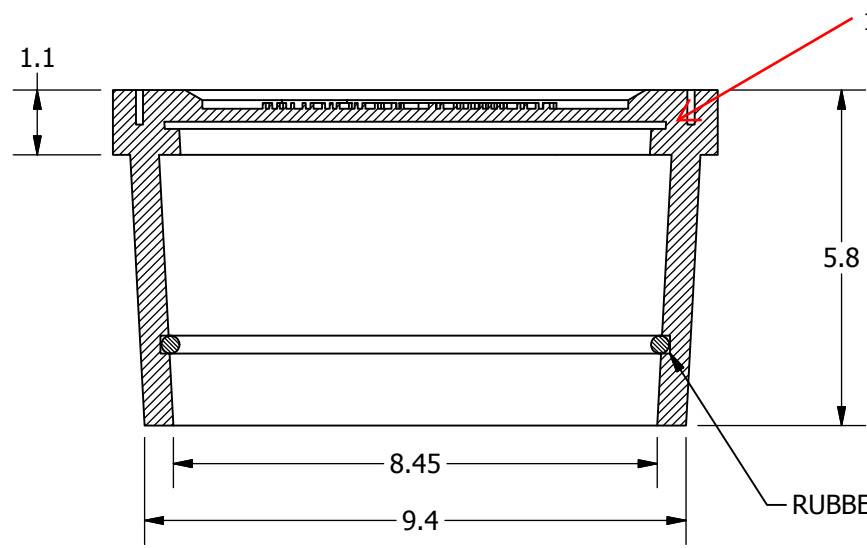
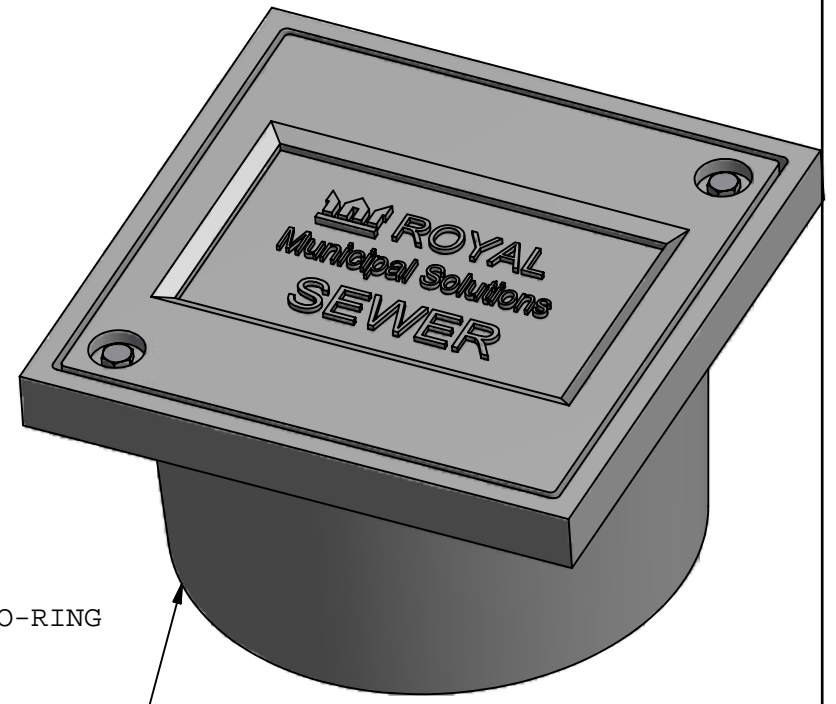


BOLT 5/16 X 3/4 NC
BRASS BOLTS
2 ONLY



CAST IRON BOX
WEIGHT: 30 LBS

SECTION B-B



Royal Pipe Systems		
Part Description: I.C. CAST IRON DRIVE WAY BOX SEWER		
Part Category:		
DRAWN BY: A. LI	SCALE: N.T.S.	DATE: 9/5/2012
APPROVED BY: P. CREELMAN	REVISION NUMBER:	
DRAWING NO:	PART NUMBER:	
	71A08DRVBOXGSEW	