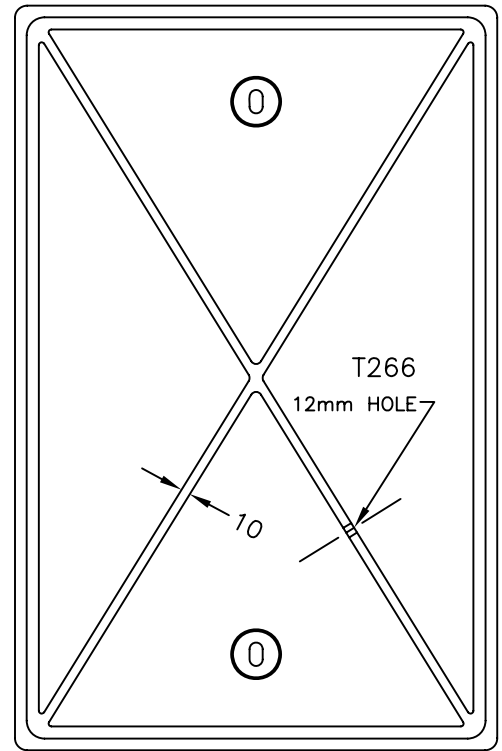
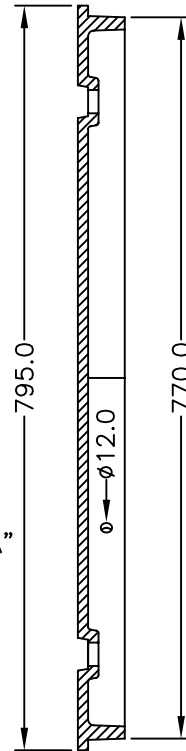
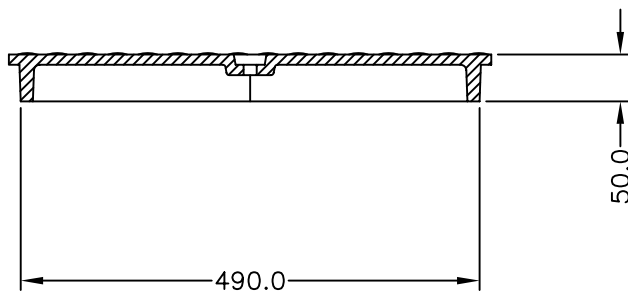


PLAN



U/S



SECTION A-A

APPROX WEIGHT:
107 Lbs
48.48 kgs

NOTE:- ALL DRAFT ANGLES ARE 2°
UNLESS OTHERWISE NOTED.



DOBNEY FOUNDRY LTD.
SURREY B.C.

RATING-

T266 LID

NO.
T266LB